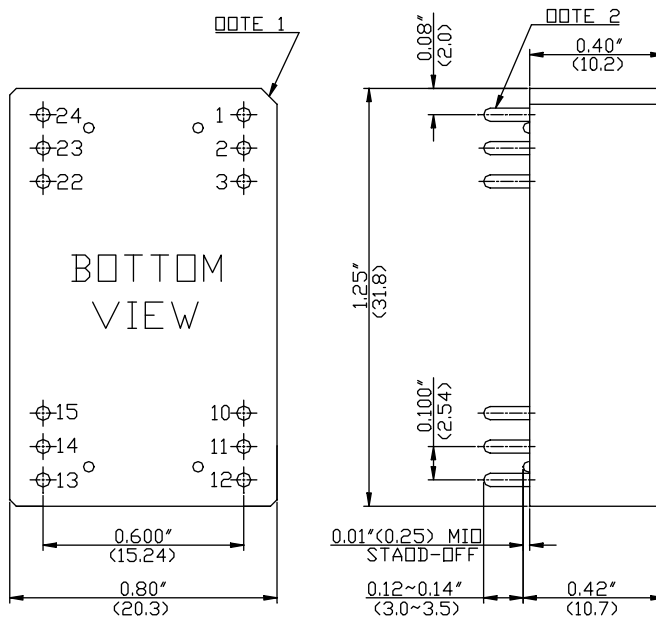


MODEL NUMBER	INPUT VOLTAGE	OUTPUT VOLTAGE	OUTPUT CURRENT	INPUT CURRENT		CASE
				NO LOAD	FULL LOAD	
UM201NR	5 VDC	5 VDC	220 mA	115 mA	345 mA	A
UM203NR		12 VDC	125 mA	115 mA	450 mA	
UM205NR		15 VDC	100 mA	115 mA	450 mA	
UM207NR		± 12 VDC	± 62 mA	115 mA	450 mA	
UM209NR		± 15 VDC	± 50 mA	115 mA	450 mA	
UM211NR	12 VDC	5 VDC	220 mA	45 mA	125 mA	A
UM213NR		12 VDC	125 mA	45 mA	170 mA	
UM215NR		15 VDC	100 mA	45 mA	170 mA	
UM217NR		± 12 VDC	± 62 mA	45 mA	170 mA	
UM219NR		± 15 VDC	± 50 mA	45 mA	170 mA	

CASE A



PIN CONNECTIONS		
Pin	Single Output	Dual Output
1	+V Input	+V Input
2	NC*	-V Output
3	NC*	Common
10	-V Output	Common
11	+V Output	+V Output
12	- V Input	- V Input
13	-V Input	-V Input
14	+V Output	+V Output
15	-V Output	Common
22	NC*	Common
23	NC*	-V Output
24	+V Input	+V Input

*NC(No Connection)on single output models.

All dimensions in inches(mm)
 Note 1:Cut-corner marking for Pin No.1
 Note 2:Pin size is 0.020± 0.005 inch(0.5mm)dia.
 or 0.020*0.012 inch
 Note 3:Tolerance .xx =± 0.02
 .xxx =± 0.010