

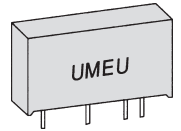
UM20SH00

Electrical Specification

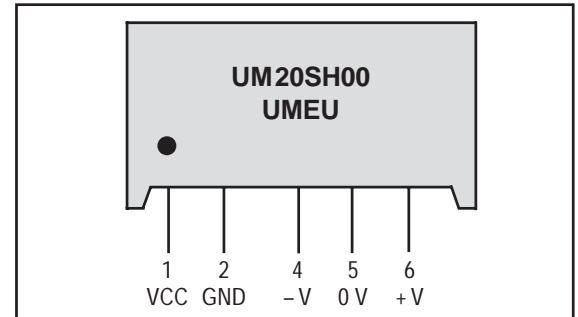
(at nom. line, full load, 25°C)

- Input Voltage Range ± 10 %
- Input Filter Capacitor Type
- Output Voltage Accuracy ± 5 %
- Line Voltage Regulation 1.2 % / 1 % of Vin
- Load Voltage Regulation ± 10 %
- Ripple and Noise @20 MHz BW 150 mV P-P max.
- Efficiency at Full Load 70 % typ.
- Isolation Voltage 500 VDC min.
- Short Circuit Protection 1.0 sec.
- Operating Temperature Range - 25°C to + 80°C
- Storage Temperature Range - 55°C to + 100°C

Dual/Single Output



Top View



Pin 4 NC for single O/P
Add /H after P/N for 2 kV I/O isolation

Part Number	Input Voltage	Output Voltage	Output Current	Efficiency in %
UM20SH14	5 VDC	± 5 VDC	± 200 mA	70
UM20SH17	5 VDC	9 VDC	200 mA	75
UM20SH19	5 VDC	± 9 VDC	± 111 mA	75
UM20SH15	5 VDC	± 12 VDC	± 84 mA	78
UM20SH16	5 VDC	± 15 VDC	± 66 mA	80
UM20SH24	12 VDC	± 5 VDC	± 200 mA	70
UM20SH29	12 VDC	± 9 VDC	± 111 mA	75
UM20SH25	12 VDC	± 12 VDC	± 84 mA	78
UM20SH26	12 VDC	± 15 VDC	± 66 mA	80
UM20SH34	24 VDC	± 5 VDC	± 200 mA	70
UM20SH37	24 VDC	± 9 VDC	111 mA	78
UM20SH35	24 VDC	± 12 VDC	± 84 mA	78
UM20SH36	24 VDC	± 15 VDC	± 66 mA	80

Mechanical Specifications

Unit = mm

